

Up to 1300 kg/h



FIREFOX (FF)

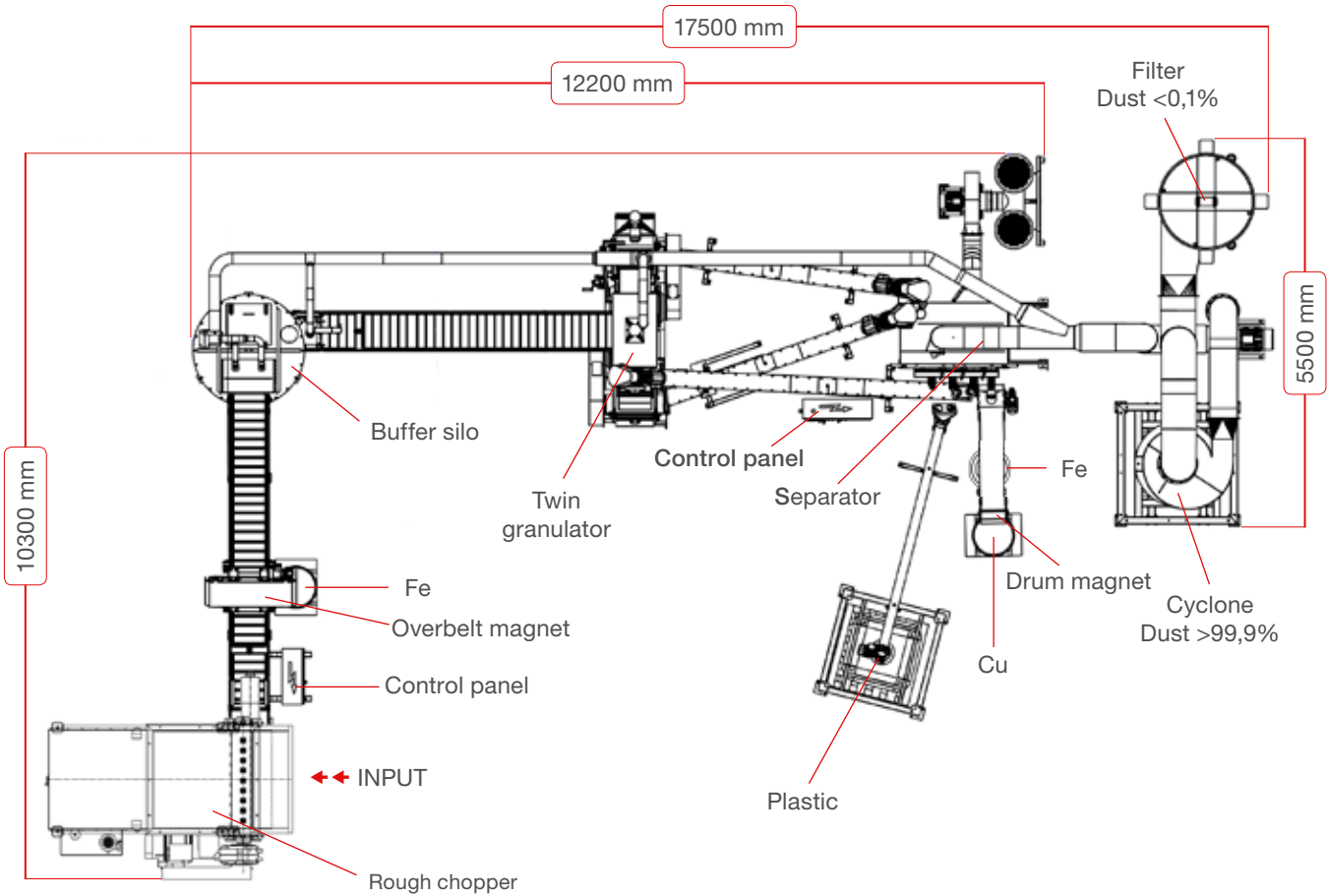
Cable recycling plant with an excellent price/performance ratio made for tough conditions with low investment costs at an overall low cost of ownership.

The Firefox (FF) has typically a capacity of up to 1300 kg/h for cable with a Cu content of 50% (capacity depending on type of cable). It includes a Buffer Silo between the Rough Chopper and the 2 x 37 kW Twin Granulator for increased capacity. It includes a 45 kW Rough Chopper equipped with hard metal knives that can process all types of dry cable up to diameter 120 mm with a length up to 1000 mm (containing steel up to diameter 2 mm).

- Suitable for all types of dry cable (up to 2 mm steel reinforcement)
- Cable coils and bundles can be fed into the Rough Chopper
- Cable diameter max. 120 mm, length max. 1000 mm
- Suitable for forklift or crane feeding
- 45 kW Rough Chopper including hard metal knife system for long life span, hydraulic pusher, automatic buffer feeding
- Buffer Silo between Rough Chopper and Granulator, increasing overall capacity and ensuring efficient separation
- Granulators with wear plates of HARDOX
- Filter with a Pre-Cyclone improving working environment
- Copper and aluminum purity: minimum 99.5%



Firefox



Technical Specifications Main machines	Firefox	Dimensions Units (EN)
Rough chopper MRC45-1350 with hydraulic pusher	45	kW
Rotor knives	76	pcs
Fixed knives	4	pcs
Hopper volume	2	m ³
Buffer silo with variable speed screw conveyor	2 x 1.5	kW
Volume	1.8	m ³
Twin granulator 2 x GR37-500	2 x 37	kW
Rotor knives per granulator	5	pcs
Fixed knives per granulator	2	pcs
Separator SE60 with electronic speed regulation, blower	0.75 + 4.0	kW
Deck area	0.6	m ²
Air extractor (aspiration)	18.5	kW
Air amount	8000	m ³ /h
Conveyors with drum magnet for steel free copper	2 x 0.33	kW
Dust cyclone with rotary valve	0.55	kW
Total installed power	160	kW
Weight, approx.	17.500	kg
Maximum infeed capacity*	1300	kg/h

*Maximum infeed capacity is based on power cable with a copper content of 50%.
Additional equipment for recovery of fines from the plastic is available on request.
With reservation for technical alterations.

