

**MT-REX™**  
Patent Pending



## OTR AND MINING TIRES DOWNSIZING EQUIPMENT





**SALVADORI**<sup>®</sup>



**MT-REX**<sup>™</sup>  
Patent Pending

# OTR AND MINING TIRES DOWNSIZING EQUIPMENT

## High Throughput

- Downsize a 5,000+ KG tire in 1 hour or less
- Generate nearly 1 million KG of downsized rubber in 1 week

## High Efficiency

- Operate with one person
- Load tires quickly with forklift
- Programmable unit runs autonomously after loading
- Discharge downsized rubber on conveyor
- Engineered for long life under challenging operating environment
- Monitor performance remotely with real-time diagnostic

## Extremely Flexible

- Downsize tires ranging from 33 to 63 inches
- Downsize radial or textile tires
- Relocate modular unit quickly
- Adjust tire cut sizing to optimize shredder

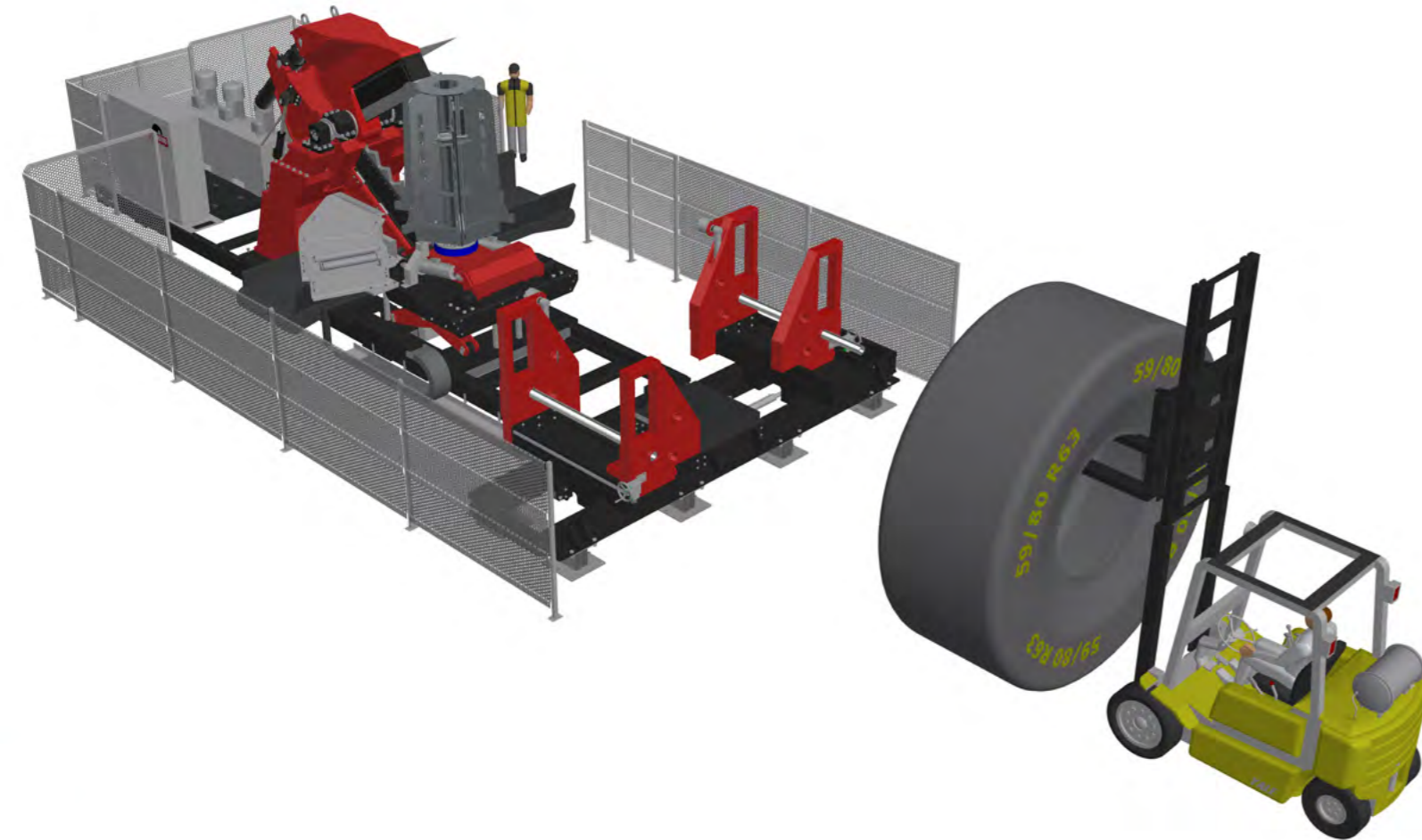
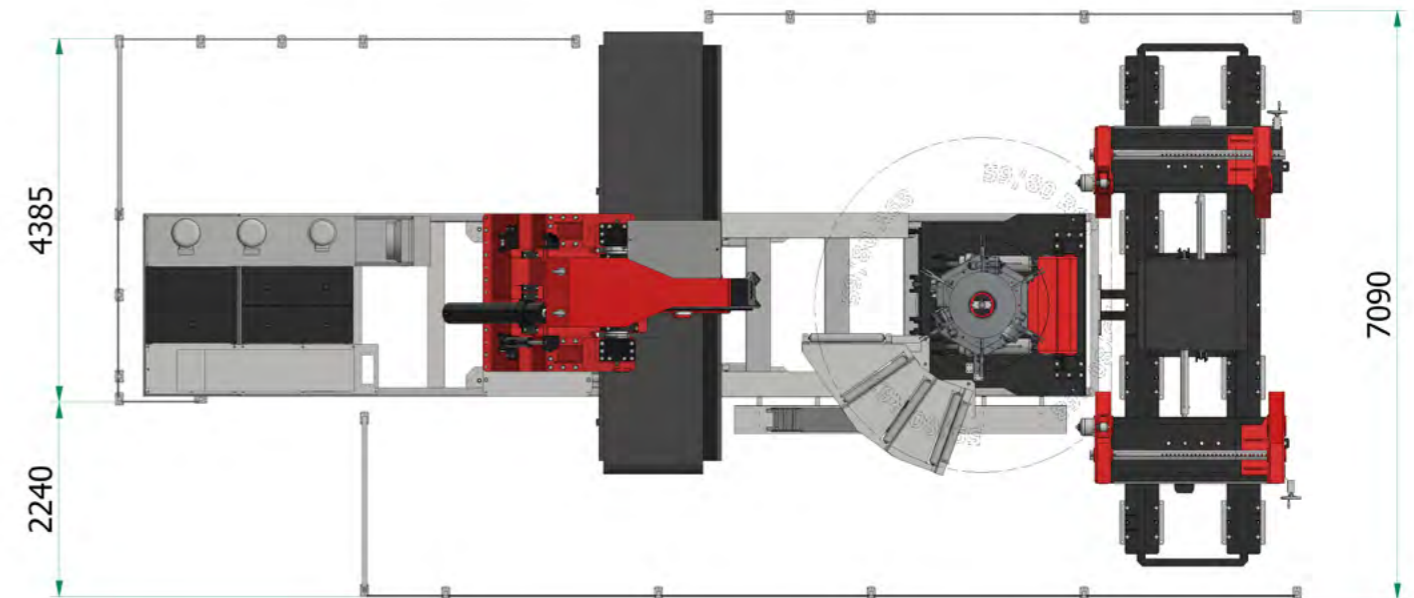
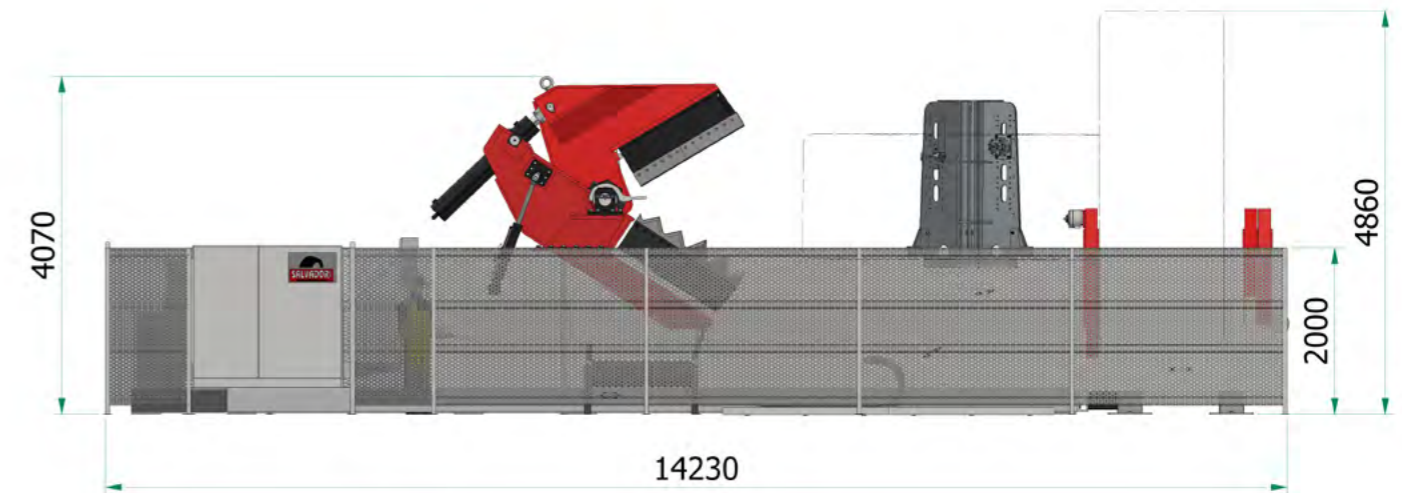
## Technical specifications:

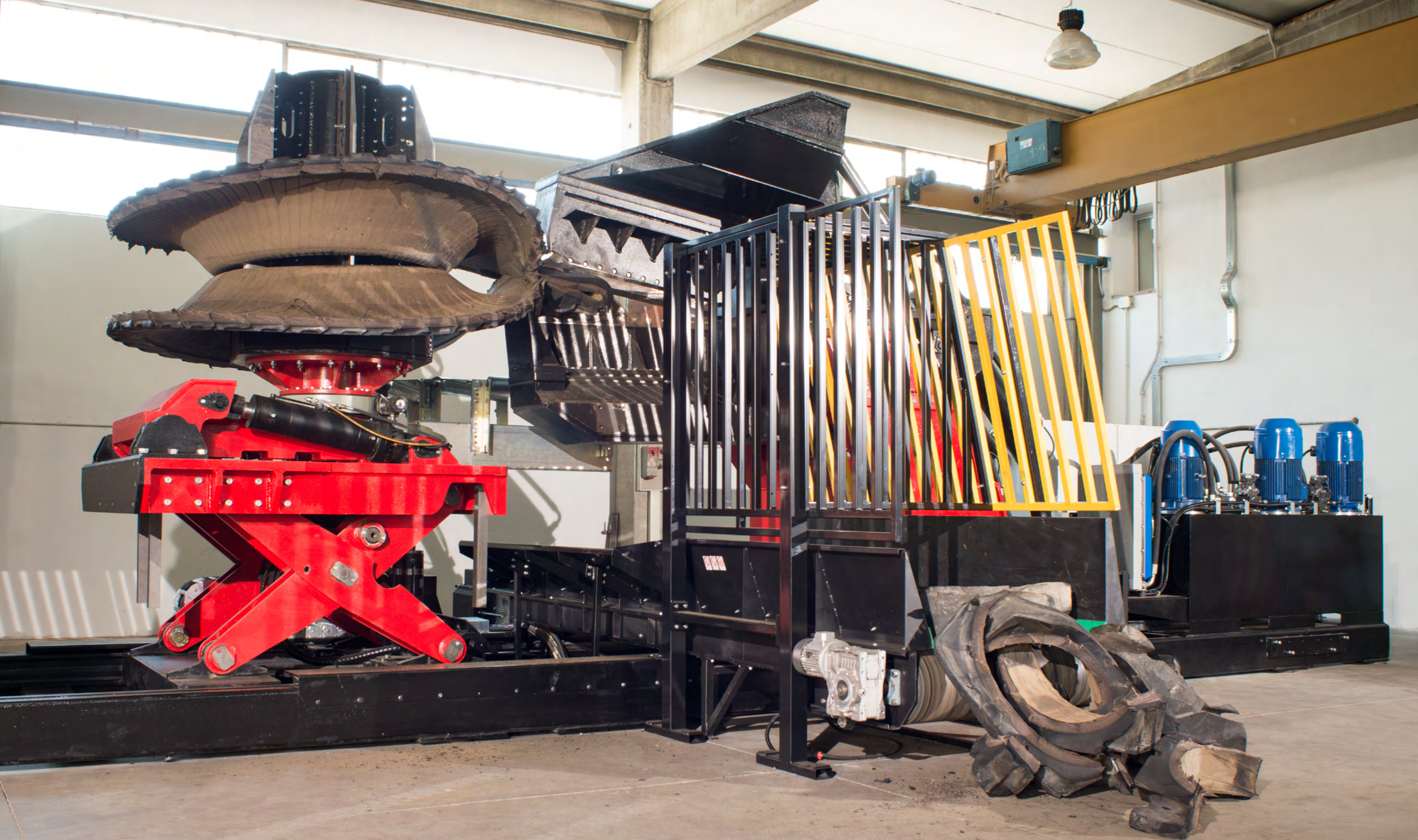
Main power supply: 400V – 50 Hz – 3 phases + neutral + grounding.

Protection ratio: IP 55 for electrical panel

Electrical power: ~70 Kw

Weight: ~42 ton





**MT-REX™**  
Patent Pending



FROM WASTE TO VALUE  
FOR A BETTER WORLD



Salvadori S.r.l.  
Via Zeni 8 - 38068 - Rovereto (Tn) - ITALY  
Tel. +39 0464 422286  
recycling@salvadori.com  
www.salvadori.com



USA, BELGIUM, BRAZIL, CHINA, ITALY, JAPAN, THAILAND, UK